

HOT FOIL PRINTER

SERIE DATA DATA-D / S DATA-V



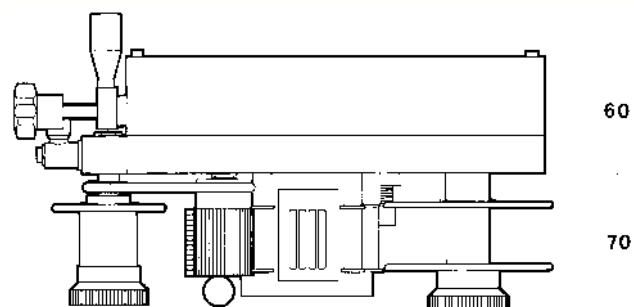
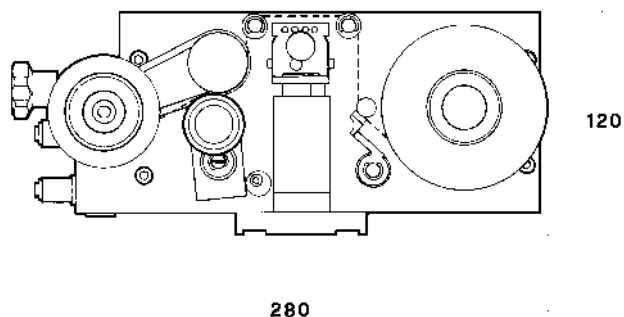
THE TYPE HOLDER CAN HOLD MOVABLE TYPES, COMPLETE PRINTING PLATES, NUMBERING UNITS.

TYPES ARE AVAILABLE IN STANDARD SIZE AND CAN ALSO BE MANUFACTURED IN ANY STYLE OR SIZE TO SUIT SPECIAL APPLICATION.

PRINTING MAY BE DONE WITH DIFFERENT COLOURS, CHOOSING THE MOST SUITABLE PIGMENTED FOIL FOR THE MATERIAL WHICH IS TO BE PRINTED.

SPECIFICATIONS

Print area	18 X 28
Imprint speed	up to 350 p.p.m.
Tape	183 m. max . length (max.Ø 90 mm)
Foil advancement	infinitely adjustable while printing
Control panel	available on request
Voltage supply 2	4 - 110- 220 VAC, 50- 60 Hz (other voltage to order)
Operation control	choise of microswitch/photocell or proximity switch
Air pressure	5 - 7 bar



To complete the DATA range and to facilitate the application of printing equipment in restricted spaces, as is the case with boxing and labelling machines, printers with a suitably modified layout are available: e.g. with a prolonged printing head or with the printing head to the right or left side.

