

HOT FOIL PRINTER

CX-D (right side)

CX-S (left side)

CX-P (elongated)



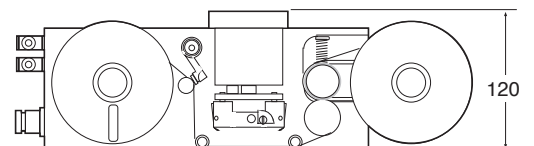
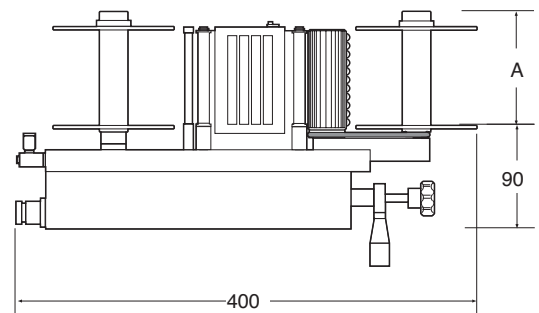
- THE TYPE-HOLDERS CAN HOLD MOVABLE TYPES, COMPLETE PRINTING PLATES, NUMBERING UNITS.
- TYPES ARE AVAILABLE IN STANDARD SIZE AND CAN ALSO BE MANUFACTURED IN ANY STYLE OR SIZE TO SUIT SPECIAL APPLICATION. PRINTING MAY BE DONE WITH DIFFERENT COLOURS, CHOOSING THE MOST SUITABLE PIGMENTED FOIL FOR THE MATERIAL WHICH IS TO BE PRINTED.

Specification for printer model CX valid also for CX-D/S and CX-P

TECHNICAL SPECIFICATIONS

Print area mm	CX30	48 x 28
	CX50	48 x 48
	CX80	48 x 78
Operating speed	CX30	220
(up to: prints /min)	CX50	180
	CX80	120
Foil capacity	max.305 m (ø 110 mm)	
Foil metering	adjustable up to 50 mm	
Heating element power supply	220V 50 - 60 Hz	
Air requirement	5 - 7 bar	
Control electrovalve	supplied on request	
Electric control unit	supplied on request	
Print control	microswitch or proximity	
Air consumption	CX30	0,1
in NL per print	CX50	0,15
	CX80	0,5

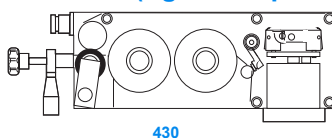
Standard CX



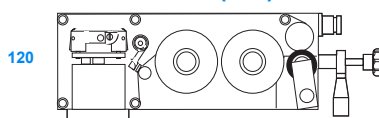
CX30 A= 55 **CX50** A= 65 **CX80** A= 100

To complete the CX range and to facilitate the application of printing equipment in restricted spaces, as is the case with boxing and labelling machines, printers with a suitably modified layout are available: e.g. with a prolonged printing head or with the printing head to the right or left side.

CX-D (right side printing)



CX-S (left)



CX-P (elongated)

